

LAMINEX® PARTITIONING SYSTEMS

BS - BEAM SUSPENDED



INSTALLATION GUIDE

Laminex®
Inspire your space

STEP 1

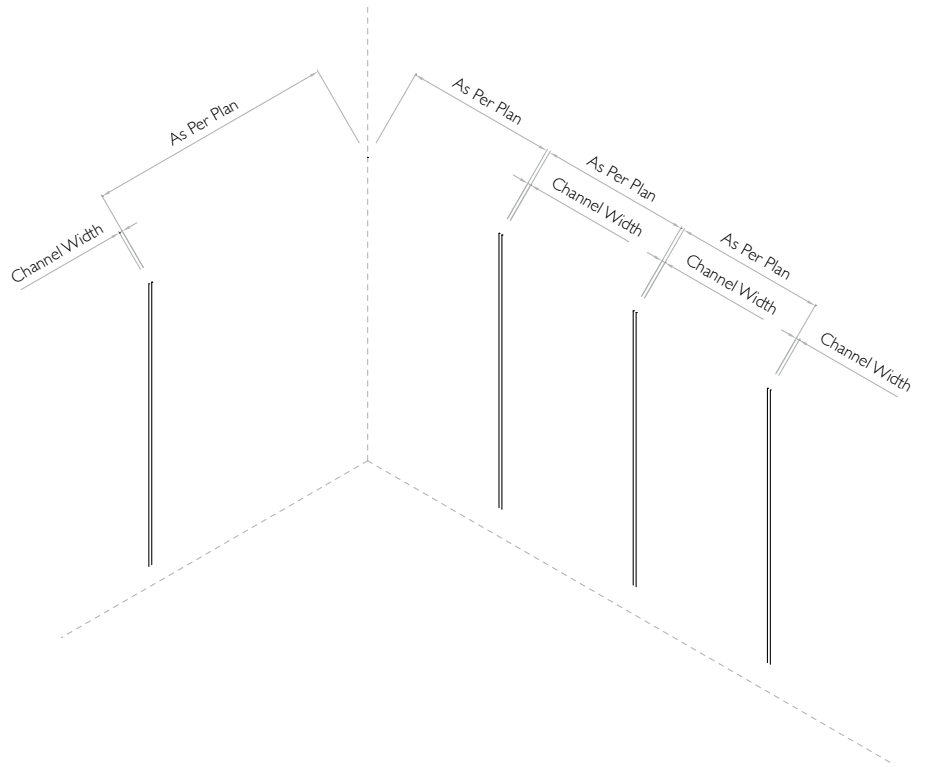
Mark out for wall channels to house partitions as per the supplied plan.

Assembly Tool Kit Supplied

1	Phillips head screw bit
1	1/8" drill for 6g screws
1	5/32" drill for 10g screws
1	Mag nut setter
1	8mm masonry bit
1	Spanner
1	8.5mm drill for bolts
1	5mm Allen key

Screws per cubicle

8	8g x 1 1/2"
8	6mm green plugs
10	10g channel screws
3	6g x 3/4" screws (optional headrail)
2	8mm long bolts & nuts



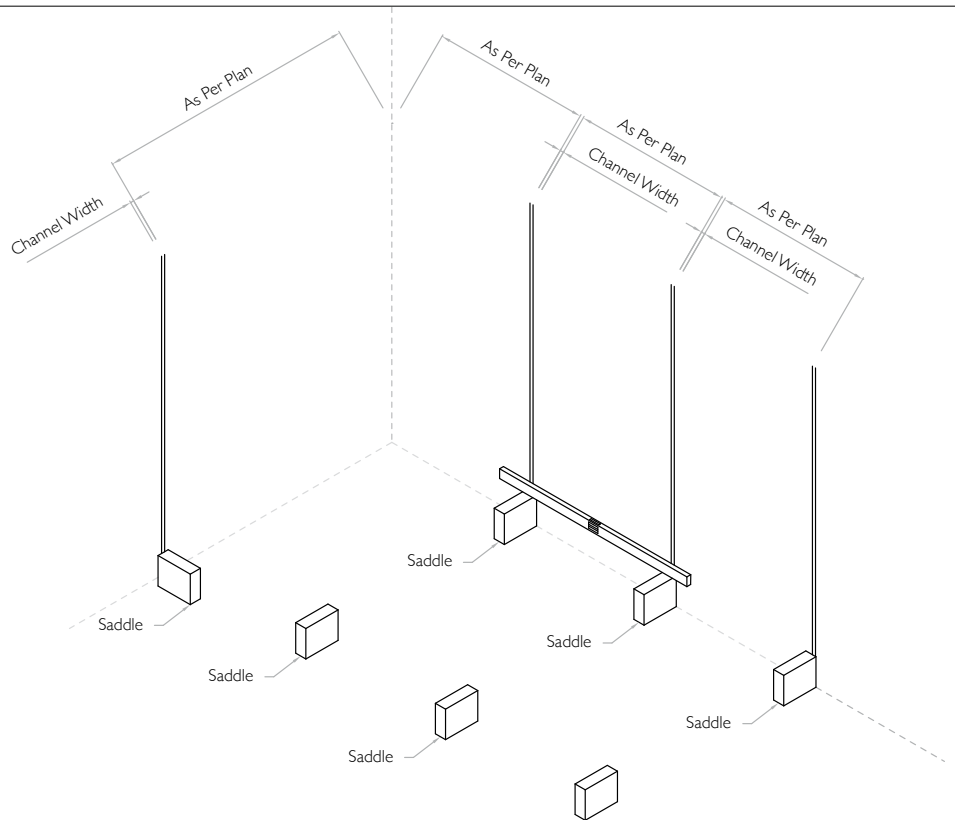
STEP 2

Position saddles under the channel markings.

With a level, find the HIGHEST saddle which is 210mm (standard) or otherwise nominated on the plans.

Add packing to level all other saddles from the HIGHEST saddle.

Using a 210mm saddle height the overall height = 2185mm.



STEP 3

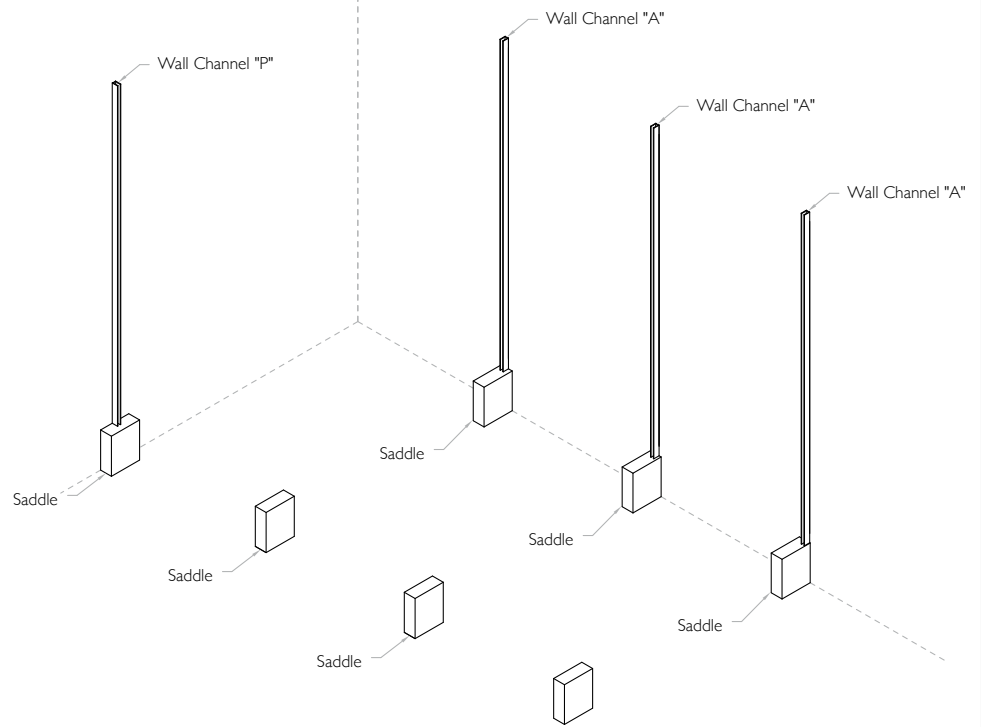
Fix channel "A" to back wall by placing on top of the levelled saddles.

DO NOT CUT

Fix channel "P" to side wall by placing on top of the levelled saddles.

Fixing holes should face towards the back wall.

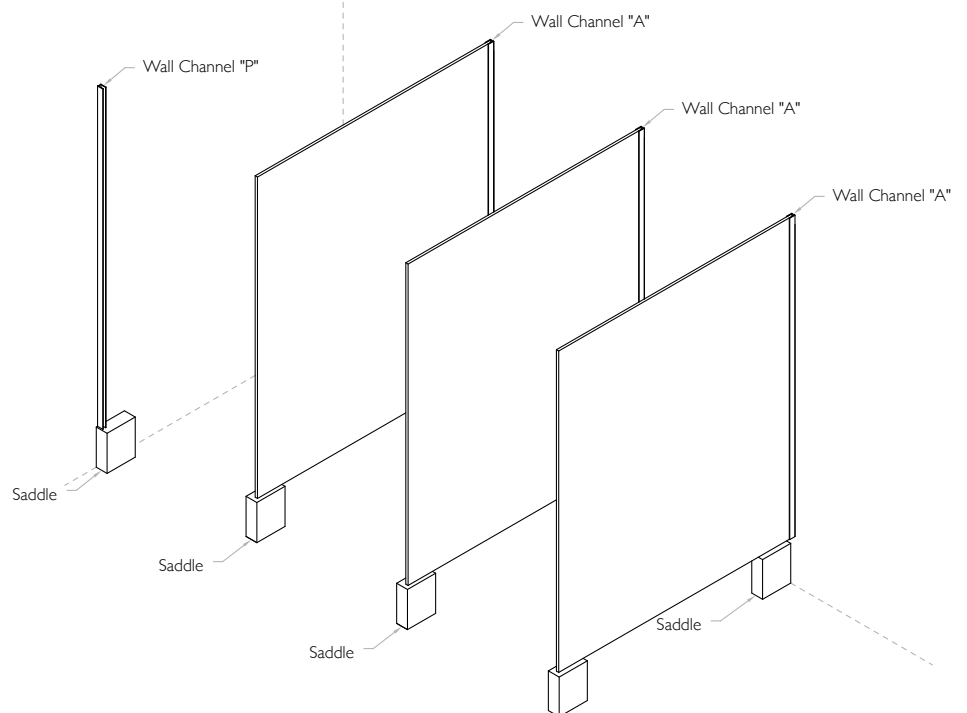
DO NOT CUT



STEP 4

Locate all divisional panels into the rear channels "A" resting onto the saddles.

DO NOT SCREW OFF

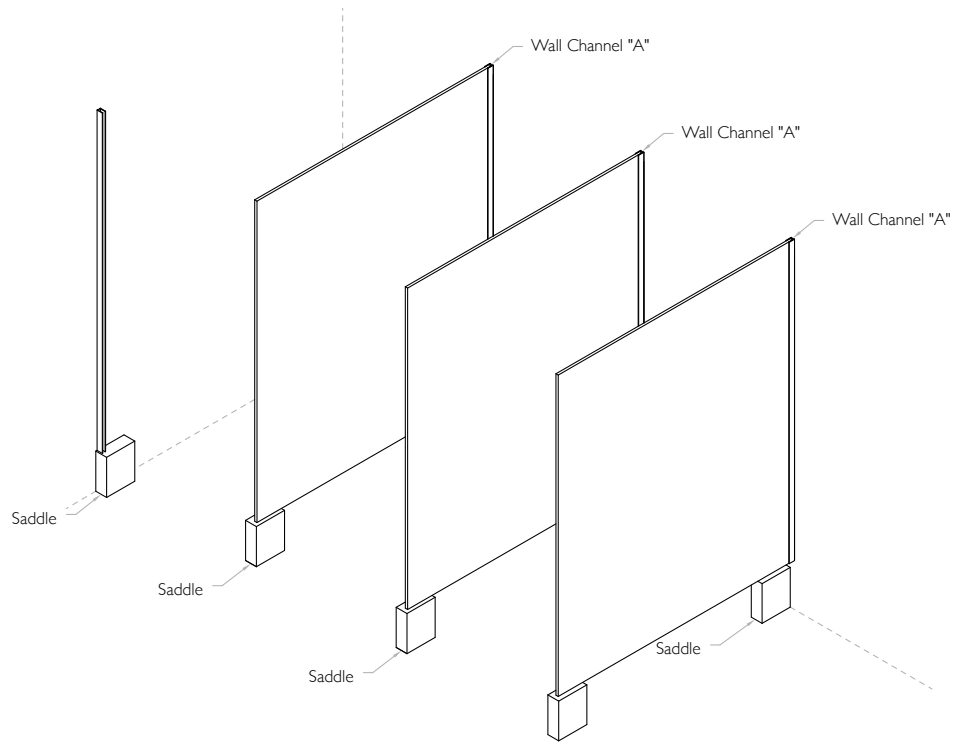
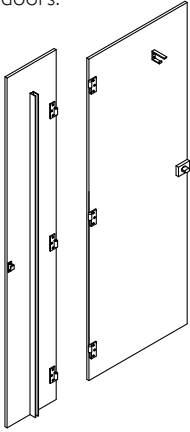


STEP 5

Locate channel "A" to back of frontals.

Fit hinges and hardware to the frontals and nibs.

Fit hinges and hardware to the doors.

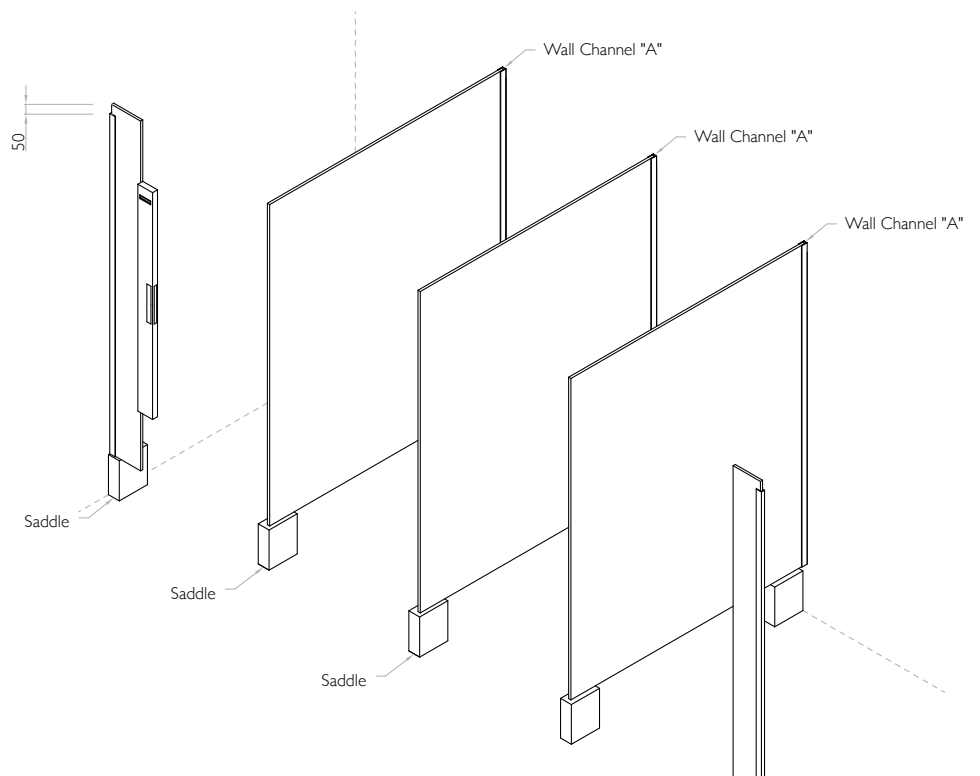


STEP 6

Insert end nibs into channel "P."

Starting from the hinge side level off the first nib only. Once level screw off into position from the inside of the cubicle. The end nib should be proud by 50mm of the wall channel "P."

Holes need to be pre-drilled with bits supplied, ensuring that you don't drill through.



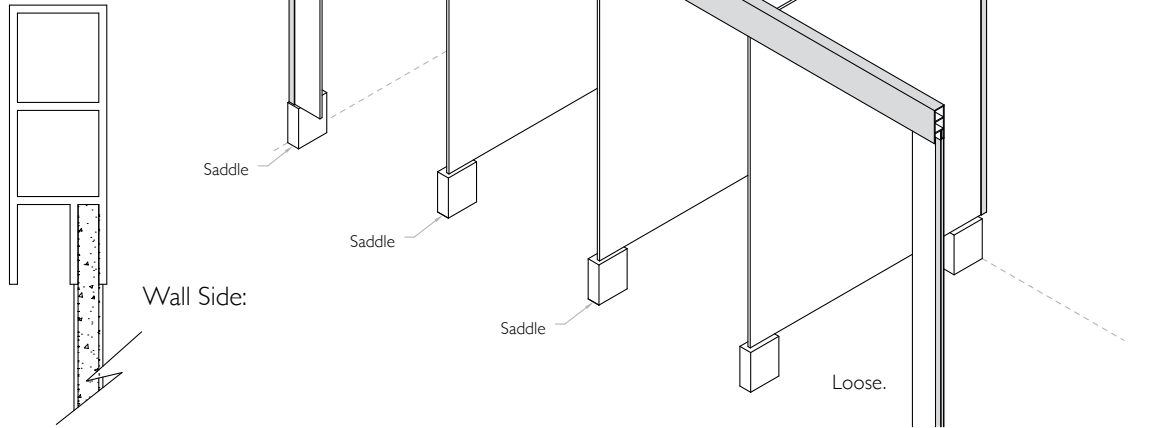
Note: Pre-drilled holes into the board to be 1mm deeper than the travel distance of the screw supplied.

STEP 7

Take a measurement from wall to wall. Cut the beam to length.

Locate the beam onto the fixed nib, resting on the wall channels "P."

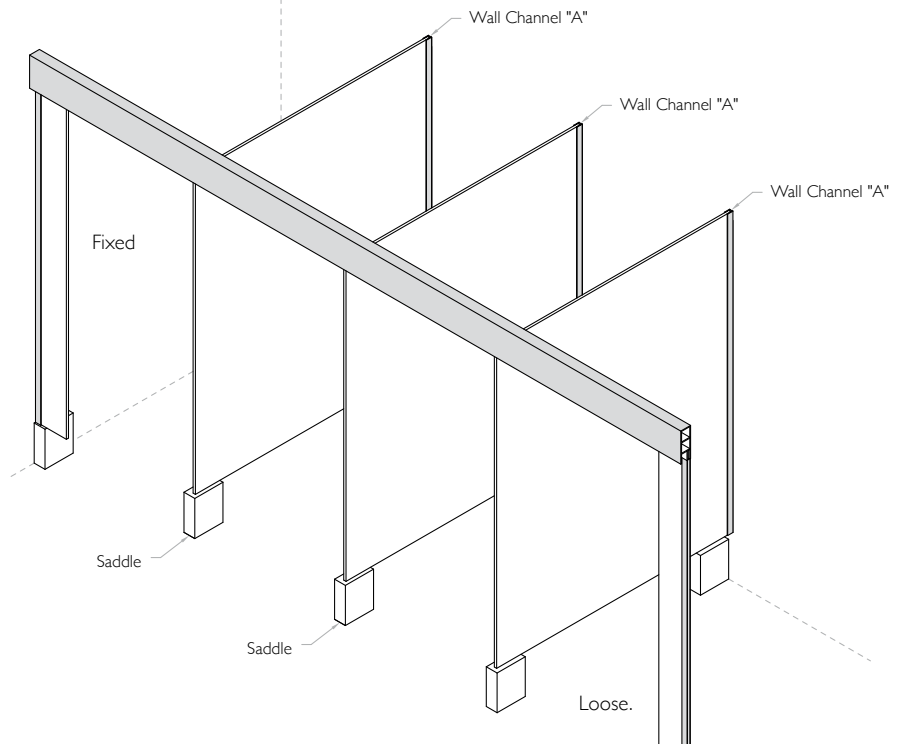
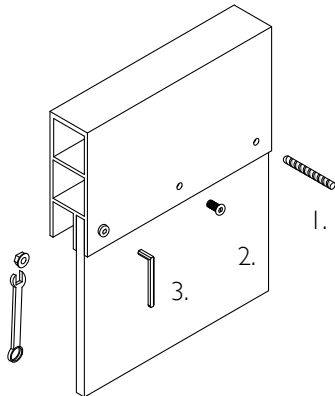
The cavity that suits the selected board type will face the back wall.



STEP 8

Drill through the beam back blade, compact and centre blade. Ensure the board is square and tight into beam cavity.

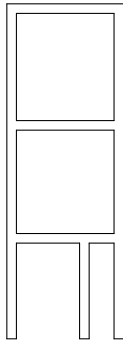
Insert threaded screw through beam and board. Locate nut onto the threaded screw. Tighten screw and nut with allen key and spanner provided.



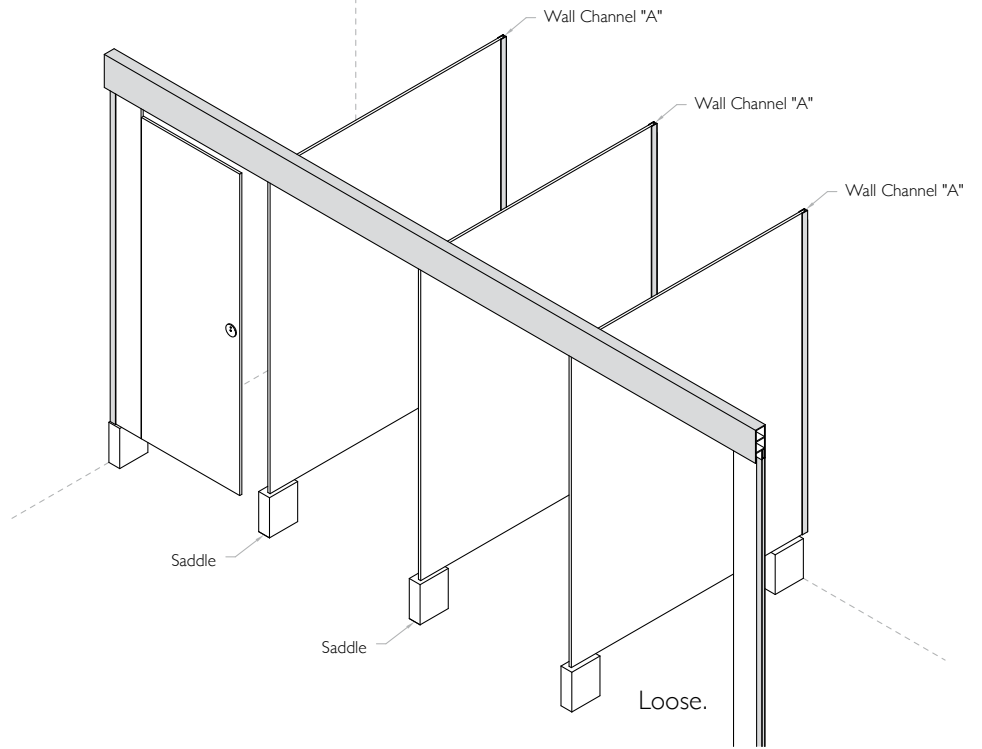
STEP 9

Fit the door insert into the underside of the beam. This needs to be hard against the nib. The door insert provides the necessary tolerances for door.

Fit the first door into place.



Snap-in door insert:

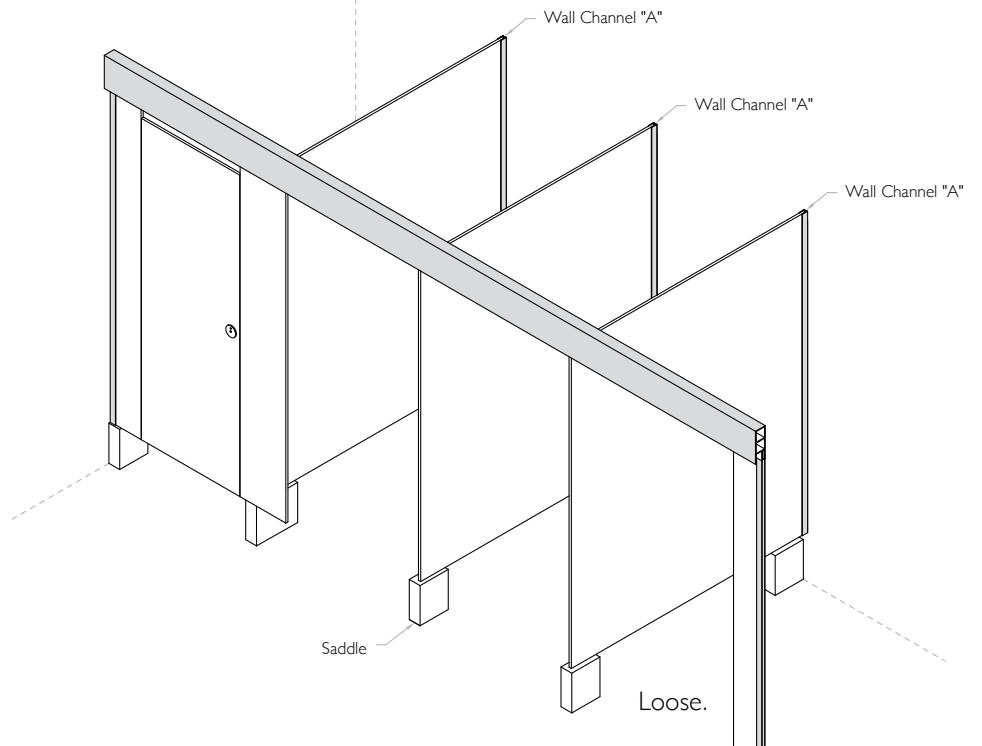


STEP 10

Slide the required frontal into the beam with the pre-fitted wall channel fitting onto the divider.

The frontal needs to sit hard and square to the underside of beam. A spacer could be used to ensure door gap is square and plumb.

Repeat steps 8 & 9 across the front of the cubicles.



STEP 11

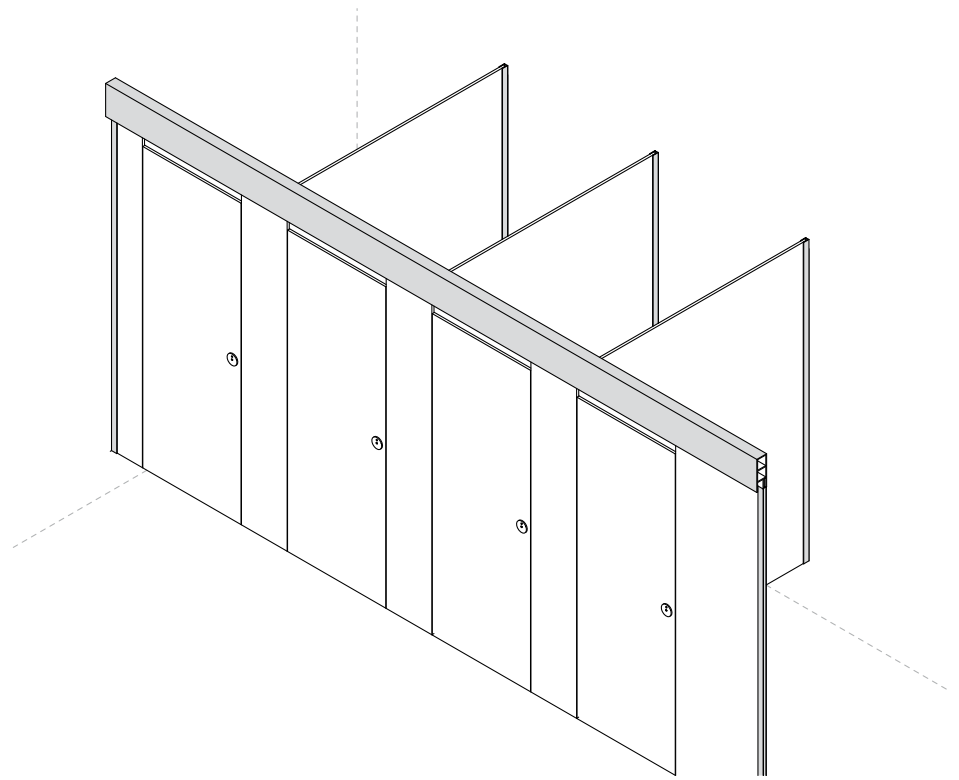
Fit the last nib into place by pre-drilling and screwing.

Plumb the cubicle left to right/ top to bottom across the front of the cubicles.

Proceed to pre-drill and screw divisions into position.

Remove the support saddles from the underside of cubicles.

Fit to the underside of beam the alternative snap-in insert.



Also available in the Laminex® partitioning range:



Laminex®
Inspire your space

 For more inspiration join us on [facebook.com/thelaminexgroupau](https://www.facebook.com/thelaminexgroupau)

For a sample call 1800 002 204. For more information visit laminex.com.au or call 132 136

Laminex Partitioning Systems are marketed and distributed by Laminex Group Pty Limited ABN 98 004 093 092, trading as Laminex. The colours of the products featured within the imagery in this brochure are as close to the Laminex Partitioning Systems range as photographic lighting and our printing processes allow. Different camera angles, although not designed to be misleading, can sometimes distort actual size and distances. Laminex Partitioning Systems range is no different than any other material in that darker colours will always show scratches and superficial wear and tear more readily than lighter colours. Laminex Partitioning Systems should be protected from strong, direct sunlight as continuous exposure may cause discolouration or fading to the surface. Please obtain a copy of the terms and conditions of the applicable warranties from laminex.com.au. This warranty is in addition to any rights that may exist under the Australian Consumer Law. Laminex®